

4

3

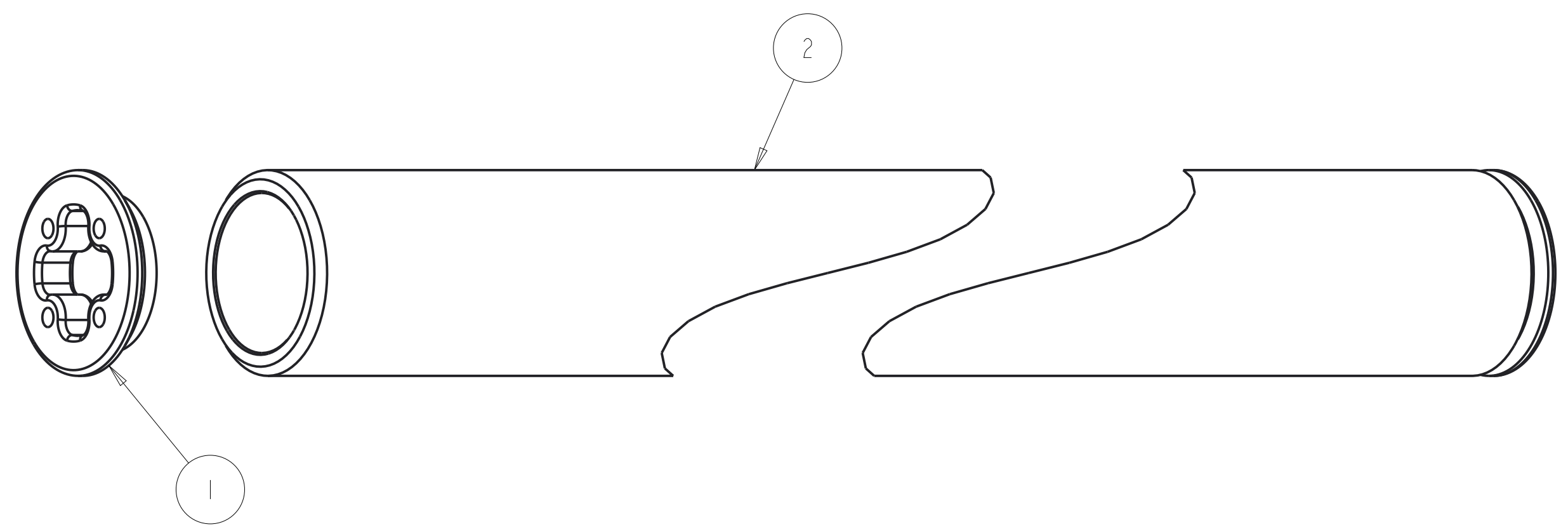
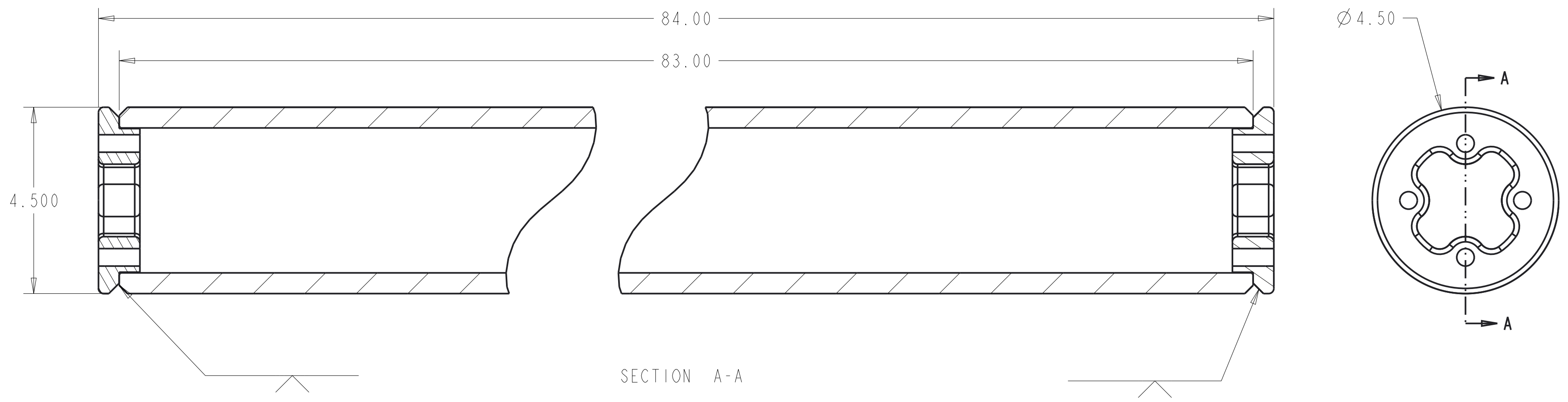
2

1

NOTES: UNLESS OTHERWISE SPECIFIED.

- 1. FOR DIMENSIONS NOT SHOWN SEE COMPUTER GENERATED FILE: 500-9420-04 REV: 4
- 2. PLATING: ALODINE
- 3. PAINT: SEMI GLOSS BLACK BK-08
- 4. ONE HALF OF A FEATURE DIMENSIONED ACROSS A CENTER LINE AND/OR A SYMMETRIC CALLOUT IS EQUAL TO THE DIMENSION SHOWN DIVIDED BY TWO AND ITS TOLERANCE DIVIDED BY TWO.
- 5. BREAK AND DEBURR ALL SHARP EDGES.
- 6. PART TO BE FREE FROM DIRT AND OILS.

REVISIONS				
ZONE	REV	DESCRIPTION	DATE	APPROVED
--	1	INITIAL RELEASE	02012-APR-26	--
--	2	LENGTH, ENDS, PAINT	02012-APR-26	
	3	"POLE", BOM	02012-MAY-21	
	4	COLOR SHEET	02012-NOV-15	



ITEM NO.	QTY RECD.	PART NO.	DRAWING TITLE OR DESCRIPTION	MANUFACTURER	MFG PART NO.
2	1	500-1421-04	USM, Z-POLE 84"	FAB	---
1	2	500-1420	USM, Z-POLE END	FAB	---

UNLESS OTHERWISE SPECIFIED DIMENSIONS ARE IN INCHES. TOLERANCES ARE: .X +/- 0.1 .XX +/- 0.01 .XXX +/- 0.001 ANGLES +/- 0.5 INTERPRET DIMENSIONS PER ASME Y14.5M 1994 (R2004)	PRO/E REPORTED PARAMETERS		DESIGNER REASON BRADLEY	
	PRO/E MATERIAL	N/A	ENGINEER	GS 02012-APR-26
	PRO/E MASS	52.425	DRAFTER	--- 02012-APR-26
	PRO/E VOLUME	N/A	CHECKED	--- 02012-APR-26
PRO/E DRAWING FILE NAME: 500-9420-04		DO NOT SCALE DRAWING		

<b>UNIVERSAL SONAR MOUNT</b>		
USM, Z-POLE ASSY, 84"		
SIZE	CUSTOMER DRAWING/PART NO.	REV
<b>C</b>	---	<b>4</b>
DRAWING/PART NO. 500-9420-04		
SCALE	0.500	SHEET 1 OF 2

4

3

2

1

CUSTOMER DRAWING/PART NO. ---  
 DRAWING/PART NO. 500-9420-04  
 REV 4 SH1 1

4

3

2

1

REVISIONS  
SEE SHEET 1



D

CUSTOMER DRAWING/PART NO. ---

DRAWING/PART NO.

500-9420-04

REV

4

SHT

2

A

**UNIVERSAL SONAR MOUNT**

USM, Z-POLE ASSY, 84"

SIZE	CUSTOMER DRAWING/PART NO.	REV
<b>C</b>	---	<b>4</b>
	DRAWING/PART NO. 500-9420-04	

SCALE 0.200 SHEET 2 OF 2

4

3

2

1

D

CUSTOMER DRAWING/PART NO. ---

DRAWING/PART NO.

500-9420-04

REV

4

SHT

2

A

**UNIVERSAL SONAR MOUNT**

USM, Z-POLE ASSY, 84"

SIZE	CUSTOMER DRAWING/PART NO.	REV
<b>C</b>	---	<b>4</b>
	DRAWING/PART NO. 500-9420-04	

SCALE 0.200 SHEET 2 OF 2