

4

3

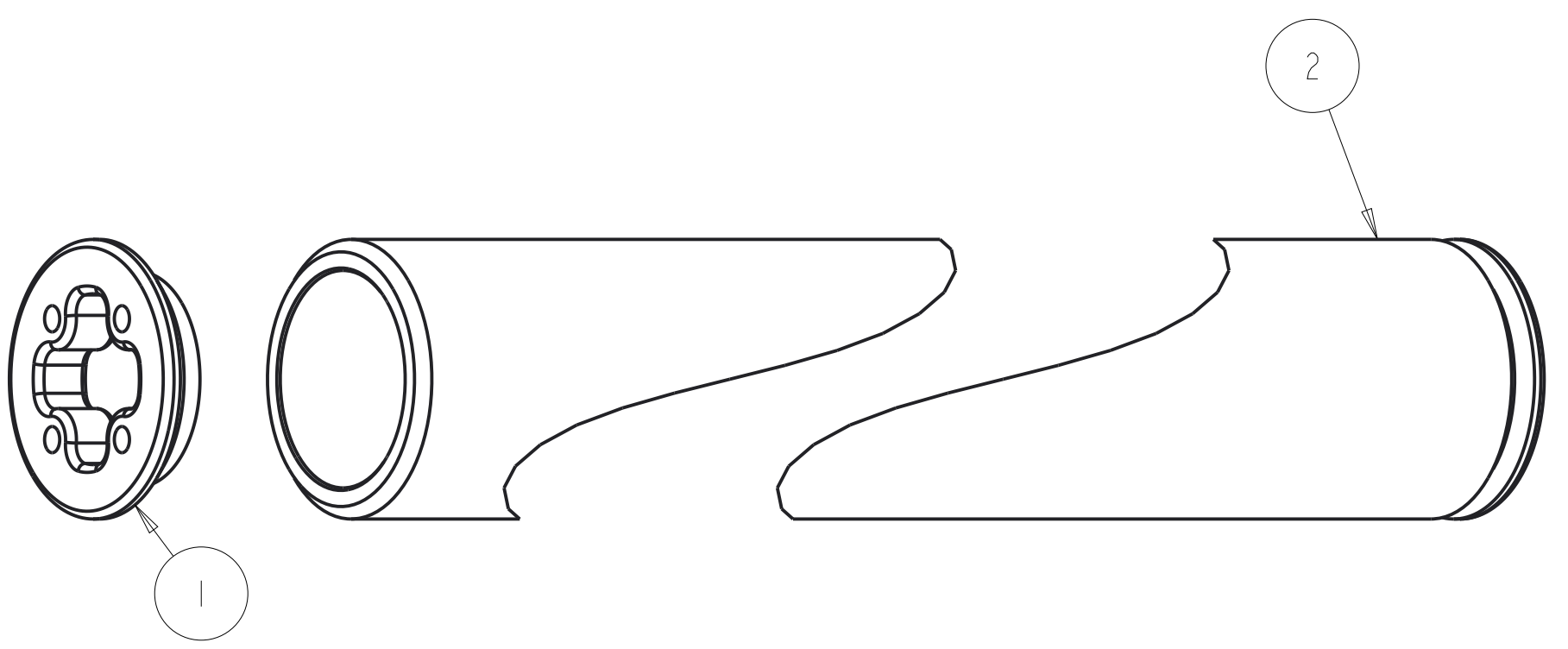
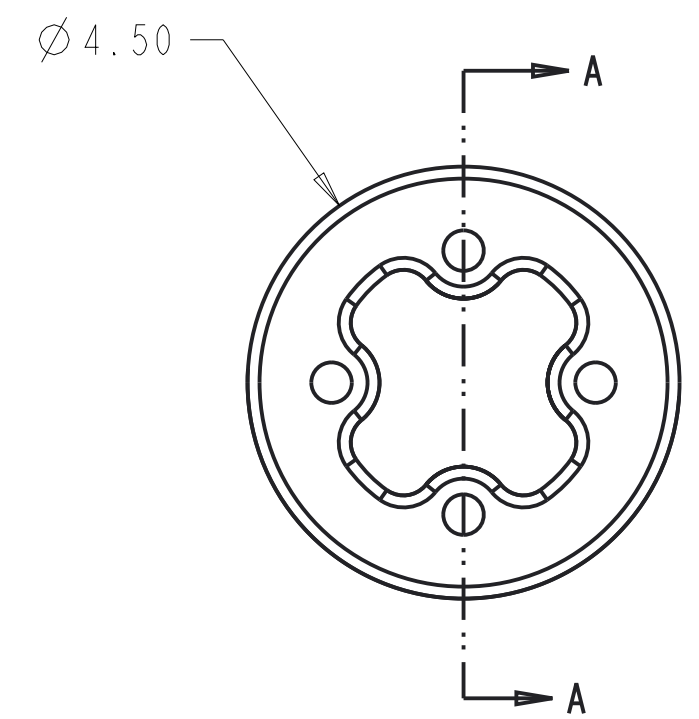
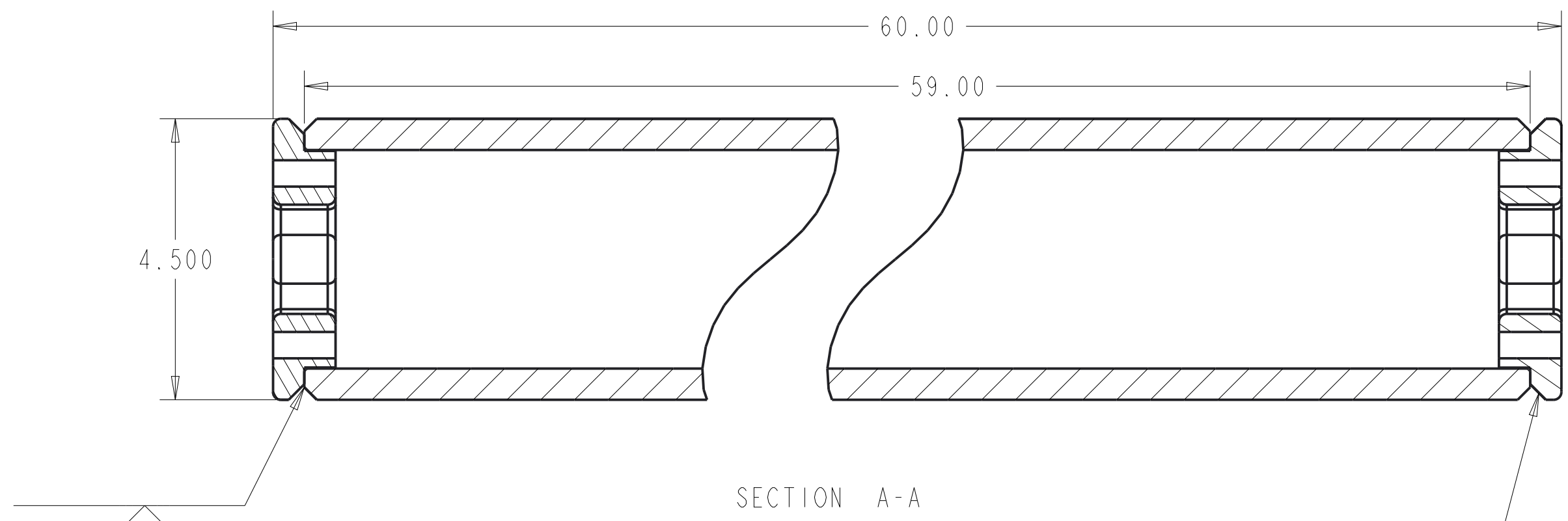
2

1

NOTES: UNLESS OTHERWISE SPECIFIED.

- 1. FOR DIMENSIONS NOT SHOWN SEE COMPUTER GENERATED FILE: 500-9420-01 REV: 4
- 2. PLATING: ALODINE
- 3. PAINT: SEMI GLOSS BLACK BK-08
- 4. ONE HALF OF A FEATURE DIMENSIONED ACROSS A CENTER LINE AND/OR A SYMMETRIC CALLOUT IS EQUAL TO THE DIMENSION SHOWN DIVIDED BY TWO AND ITS TOLERANCE DIVIDED BY TWO.
- 5. BREAK AND DEBURR ALL SHARP EDGES.
- 6. PART TO BE FREE FROM DIRT AND OILS.

REVISIONS				
ZONE	REV	DESCRIPTION	DATE	APPROVED
--	1	INITIAL RELEASE	02012-APR-26	--
--	2	LENGTH, ENDS, PAINT	02012-APR-26	
	3	TITLES "POLE"	02012-MAY-21	
	4	COLOR SHEET	02012-NOV-15	



ITEM NO.	QTY RECD.	PART NO.	DRAWING TITLE OR DESCRIPTION	MANUFACTURER	MFG PART NO.
2	1	500-1421-01	USM, Z-POLE 60"	FAB	---
1	2	500-1420	USM, Z-POLE END	FAB	---

UNLESS OTHERWISE SPECIFIED DIMENSIONS ARE IN INCHES.		DESIGNER	
TOLERANCES ARE:		REASON BRADLEY	
.X +/- 0.1	PRO/E REPORTED PARAMETERS	ENGINEER	GS
.XX +/- 0.01	PRO/E MATERIAL	DRAFTER	---
.XXX +/- 0.001	PRO/E MASS	CHECKED	---
ANGLES +/- 0.5	PRO/E VOLUME	2012-APR-26	
INTERPRET DIMENSIONS PER ASME Y14.5M 1994 (R2004)	PRO/E DRAWING FILE NAME:	DO NOT SCALE DRAWING	
	500-9420-01		

UNIVERSAL SONAR MOUNT		
USM, Z-POLE ASSY, 60"		
SIZE	CUSTOMER DRAWING/PART NO.	REV
C	---	4
DRAWING/PART NO.		
500-9420-01		
SCALE	SHEET 1 OF 2	
0.500		

4

3

2

1

CUSTOMER DRAWING/PART NO. ---
 DRAWING/PART NO. 500-9420-01
 REV 4 SH 1

4

3

2

1

REVISIONS
SEE SHEET 1

D

CUSTOMER DRAWING/PART NO. ---

DRAWING/PART NO.

500-9420-01

REV

4

SHT

2

A



UNIVERSAL SONAR MOUNT

USM, Z-POLE ASSY, 60"

SIZE	CUSTOMER DRAWING/PART NO.	REV
C	---	4
	DRAWING/PART NO. 500-9420-01	

SCALE 0.250 SHEET 2 OF 2

4

3

2

1

A